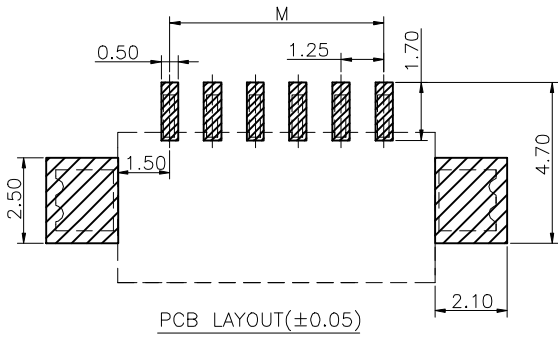
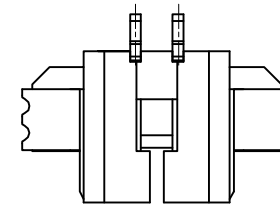
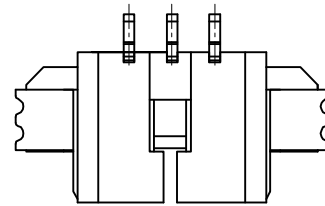
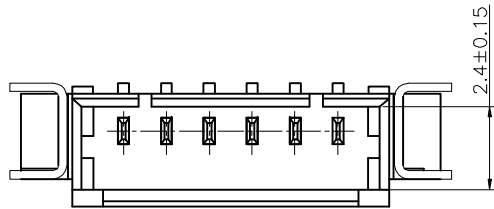
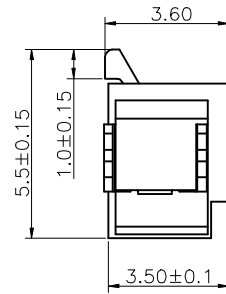
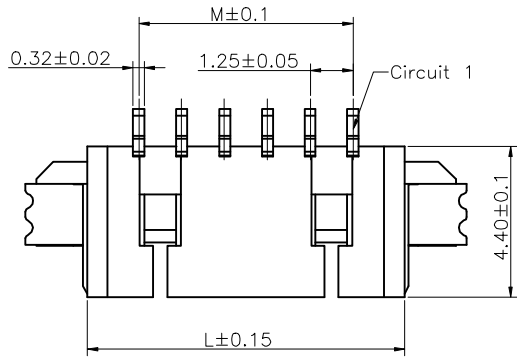


1 2 3 4 5 6 7 8 9

F
E
D
C
B
A



Specifications
 Current Rating:1Amp
 Voltage rating:125v ac/dc
 Insulation Resistance:100MΩ Min.
 Dielectric Withstanding Voltage:500VAC
 Contact Resistance:20mΩ Max.
 Operating Temperature:-40°C to +105°C
 Materials
 Contact Material:Phosphor Bronze
 Insulator Material:High Temperature Thermoplastic, UL 94V-0 LCP(Nylon) or the equivalent material
 All materials must meet GREENCONN hazardous substances control standards.

PART NO	Dimensions	
	L	M
02P	4.25	1.25
03P	5.50	2.50
04P	6.75	3.75
05P	8.00	5.00
06P	9.25	6.25
07P	10.50	7.50
08P	11.75	8.75
09P	13.00	10.00
10P	14.25	11.25
11P	15.50	12.50
12P	16.75	13.75
13P	18.00	15.00
14P	19.25	16.25
15P	20.50	17.50

Ordering Information

G WDD123-XX XX A 001 C X A X
 No. of Pins per Row 02~15 Standard Plating 01=Tin Selective Plating 02=Gold Flash Color 2=White Standard Packing D=Tape Reel Selective Packing N=PE Bag ...

格稜股份有限公司
Greconn Corporation

REV. 01 UNIT. mm SCALE. 1:1 PAGE. 1/1

GENERAL TOLERANCE	
X:±	X.±0.50
.X'±	.X±0.35
.XX'±	.XX±0.25
.XXX'±	.XXX±0.10

DESIGN:	DATE:
CHECKED:	DATE:
APPROVED:	DATE:

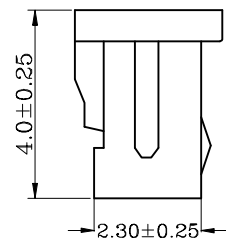
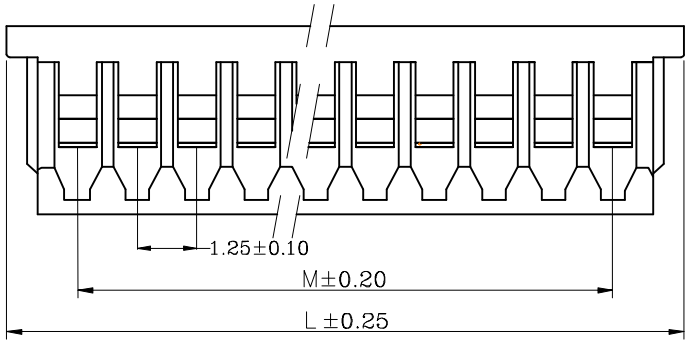
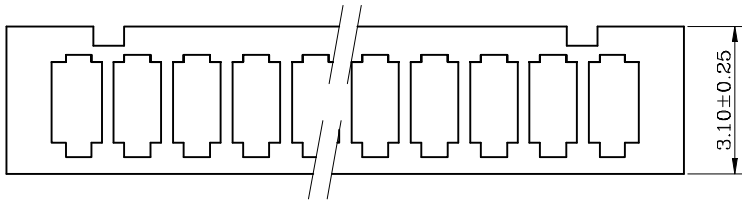
DWG. NO.
GWDD123-CA1CA
 PART NO.
GWDD123-XXXXA001CXAX

TITLE.
1.25 mm Wafer 90° SMT Connectors

1 2 3 4 5 6 7 8 9

1 2 3 4 5 6 7 8 9

F
E
D
C
B
A



NOTES:
 CURRENT RATING:1A AC/DC.
 VOLTAGE RATING:125V AC/DC
 TEMPERATURE RANGE:-40°C~+105°C.
 CONTACT RESISTANCE:20MΩ Max.
 INSULATION RESISTANCE:100MΩ Min.
 WITHSTANDING VOLTAGE:500V AC/MINUTE.
 MATERIAL:NYLON 66.UL94V-0.

No of Pin/Row	Dimensions	
	M	L
02	1.25	4.25
03	2.50	5.50
04	3.75	6.75
05	5.00	8.00
06	6.25	9.25
07	7.50	10.50
08	8.75	11.75
09	10.00	13.00
10	11.25	14.25
11	12.50	15.50
12	13.75	16.75
13	15.00	18.00
14	16.25	19.25
15	17.50	20.50
16	18.75	21.75

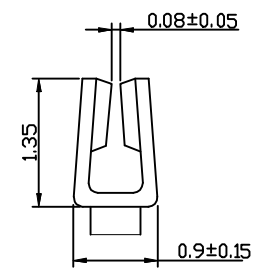
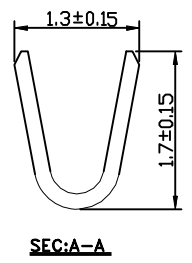
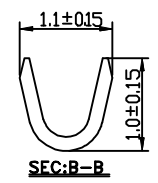
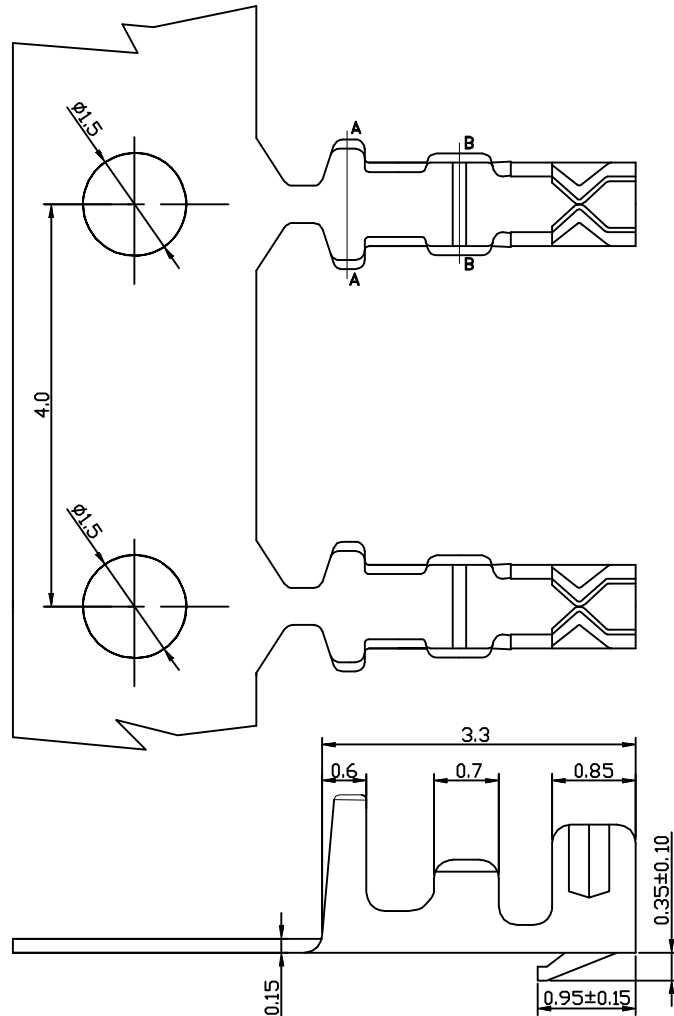
GHD321 - XX A X
 No. of Pin/Row 02 ~ 16
 Material/Color M=Nylon66/White

 Website: www.greenconn.com E-mail: sales@greenconn.com	3RD.ANG PROJ. 	GENERAL TOLERANCE		DESIGNED:	DATE:	DWG. NO. GHD321-HA	TITLE. 1.25mm pitch housing
		X: ±5.0'	X: ±				
REV. A	UNIT. mm	SCALE. 1:1	PAGE. 1/1	APPROVED:	DATE:		
				.X' ±3.0'	.X ±0.30		
				.XX' ±2.0'	.XX ±0.25		
				.XXX' ±1.0'	.XXX ±0.15		

1 2 3 4 5 6 7 8 9

1 2 3 4 5 6 7 8 9

F
E
D
C
B
A



Specifications:
1. Material: Phosphor Bronze
2. Wire Range: AWG#28-32
3. Insulation O.D.: 1.0mm(Max)

Ordering Information

GRD112 - 01 XX AB

Standard Plating
01=Tin

Materials
AB=Phosphor bronze

<p>Website: www.greenconn.com E-mail: sales@greenconn.com</p>		3RD.ANG PROJ. 	GENERAL TOLERANCE		DESIGNED: CHECKED: APPROVED:	DATE: DATE: DATE:	DWG. NO.	TITLE.
			X. 停 /	X. ?			GRD112-T1	
REV. A	UNIT. mm	SCALE. 1:1	PAGE. 1/1	.X 停 /	.X ? .30		PART NO.	1.25mm Pitch terminal
				.XX 停 /	.XX ? .25		GRD112-01 XX AB	
				.XXX 停 /	.XXX ? .15			

1 2 3 4 5 6 7 8 9