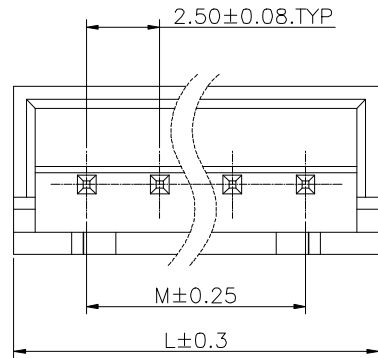


1 2 3 4 5 6 7 8 9

F



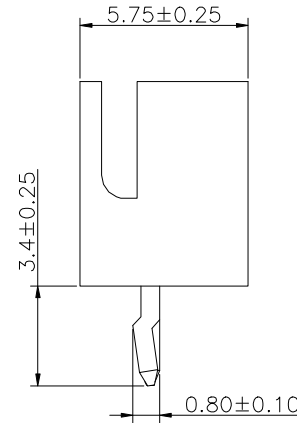
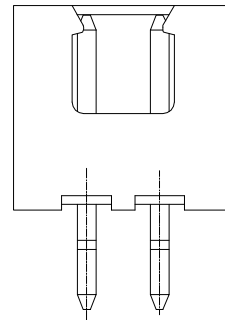
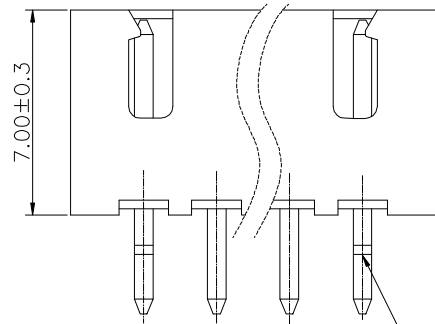
Poles	Dimensions(mm)		Poles	Dimensions(mm)	
	M	L		M	L
02	2.50	7.50	13	30.00	35.00
03	5.00	10.00	14	32.50	37.50
04	7.50	12.50	15	35.00	40.00
05	10.00	15.00	16	37.50	42.50
06	12.50	17.50	17	40.00	45.00
07	15.00	20.00			
08	17.50	22.50			
09	20.00	25.00			
10	22.50	27.50			
11	25.00	30.00			
12	27.50	32.50			

Specifications :

Voltage rating: 250V AC / DC
 Current rating: 3A AC / DC
 Withstanding voltage: 800V AC/minute
 Temperature range: -25°C~+85°C
 Insulation resistance:1000MΩ(Min)
 Contact resistance: ≤10mΩ
 Material: PA66 94V-0
 Material(Pin):Brass
 All materials must meet Greenconn requirement for environment protection.

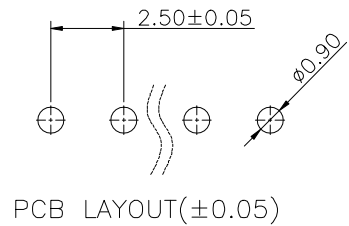
E

D



C

B



Ordering Information

G WGA114 - XX XX A 802 E X Z X
 No. of Pins per Row 02~17 Standard Plating 01=Tin Selective Plating
 Color 2=White Standard Packing N=PE Bag

A

格菱股份有限公司
Greenconn Corporation

GENERAL TOLERANCE

X.±/	X.±/
.X'±2'	.X±0.30
.XX'±1'	.XX±0.20
.XXX'±/	.XXX±0.10

DESIGN:	DATE:
CHECKED:	DATE:
AUDITED:	DATE:

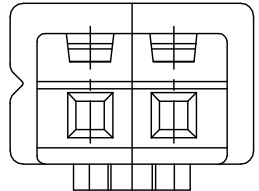
DWG. NO.	TITLE.
GWGA114-CA802EZ	2.50mm Crimp Style Connectors
PART NO.	
GWGA114-XXXXA802EXZX	

REV.	UNIT.	SCALE.	PAGE.	
01	mm	1:1	1/1	

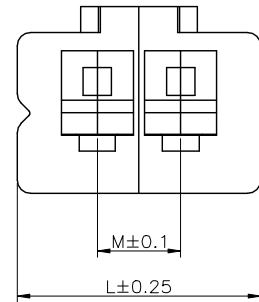
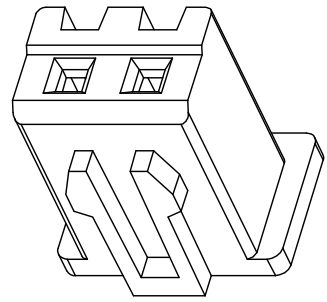
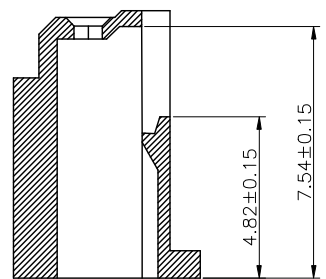
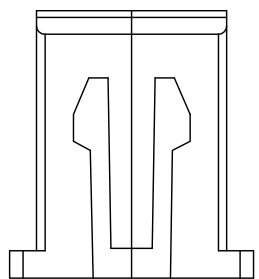
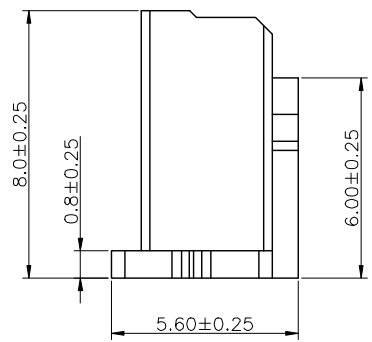
1 2 3 4 5 6 7 8 9

1 2 3 4 5 6 7 8 9

F
E
D
C
B
A



Specifications
 Current Rating:3Amp
 Voltage Rsting:250V AC/DC
 Temperature Range:-25°C to +85°C
 Contact Resistance:10mΩ Max.
 Insulation Resistance:1000MΩ Min.
 Withstanding Volatge:1000V AC/minute
 Materials
 Contact Material:PA66
 All materials must meet GREENCONN
 hazardous substances control standards.



Ordering Information

GFG041 - XX A XX

No. of Pins
02-16

Materials /Color
P1=NY 66/White

Pins	DIMENSIONS	
	L	M
02	7.30	2.5
03	9.80	5.0
04	12.30	7.5
05	14.80	10.0
06	17.30	12.5
07	19.80	15.0
08	22.30	17.5
09	24.80	20.0
10	27.30	22.5
11	29.80	25.0
12	32.30	27.5
13	34.80	30.0
14	37.30	32.5
15	39.80	35.0
16	42.30	37.5

格稜股份有限公司
Greenconn Corporation

REV. A UNIT. mm SCALE. 1:1 PAGE. 1/1

GENERAL TOLERANCE	
X:±	X.±
.X'±	.X±0.25
.XX'±	.XX±0.15
.XXX'±	.XXX±0.10

DESIGNED: _____ DATE: _____
 CHECKED: _____ DATE: _____
 APPROVED: _____ DATE: _____

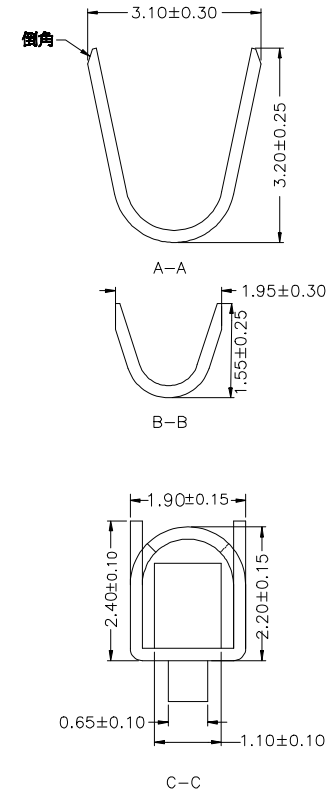
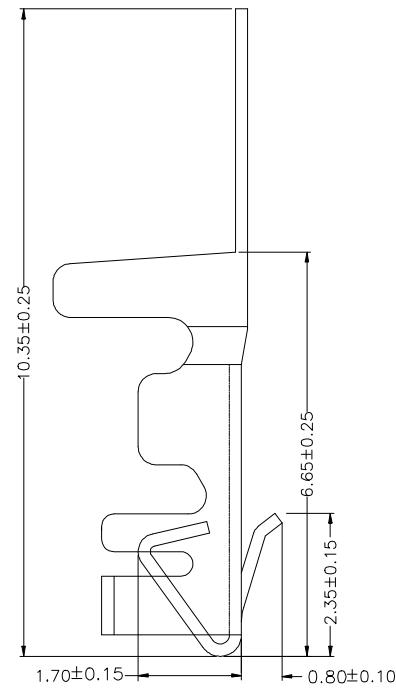
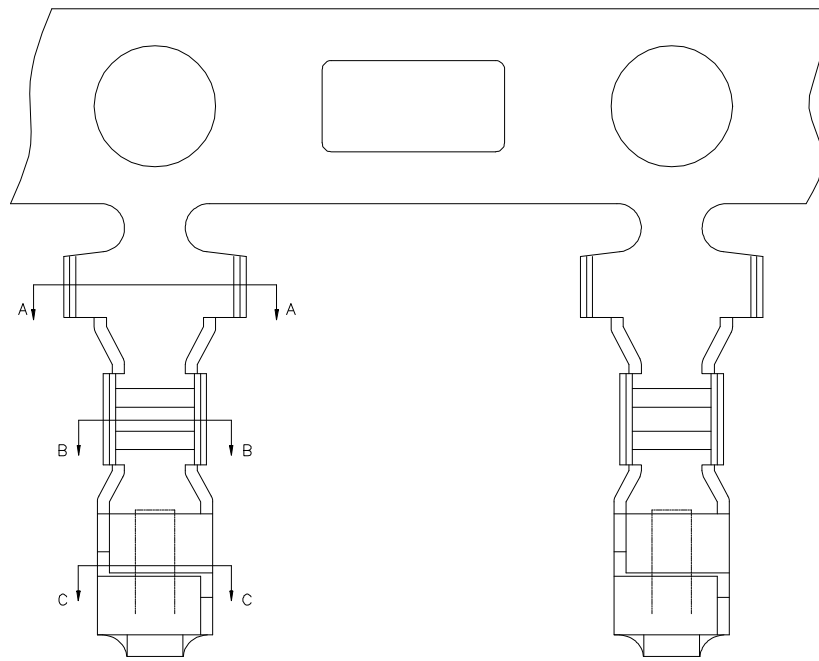
DWG. NO.
GFG041-HA
 PART NO.
GFG041-XX A XX

TITLE.
2.5mm pitch housing

1 2 3 4 5 6 7 8 9

1 2 3 4 5 6 7 8 9

F
E
D
C
B
A



Contact Material: Phosphor Bronze
 Finish: See Part Number
 Wire range: AWG#22~28
 Insulation O.D: 1.9mm(max)
 Qty/Reel: 7000
 All materials must meet GREENCONN
 hazardous substances control standards.

Ordering Information

GRG115 - 01 XX XX
 Standard Plating: 01=Tin, 02=Gold Flash
 Materials: AB=Phosphor Bronze

格稜股份有限公司
Greenconn Corporation

REV. B UNIT. mm SCALE. 1:1 PAGE. 1/1

GENERAL TOLERANCE	
X.±	X.±
.X'±	.X±0.25
.XX'±	.XX±0.15
.XXX'±	.XXX±0.10

DESIGNED: DATE:
 CHECKED: DATE:
 APPROVED: DATE:

DWG. NO. GRG115-T1
 PART NO. GRG115-01 XX XX

TITLE. 2.5mm pitch Terminal

9B 1 2 3 4 5 6 7 8 9